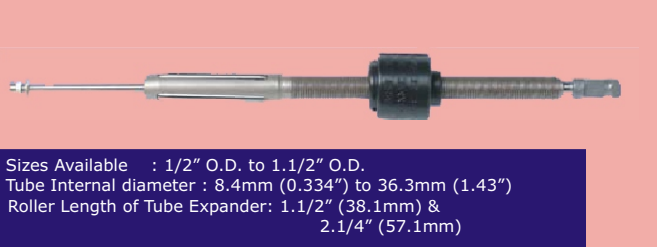


# CONDENSER TUBE EXPANDER

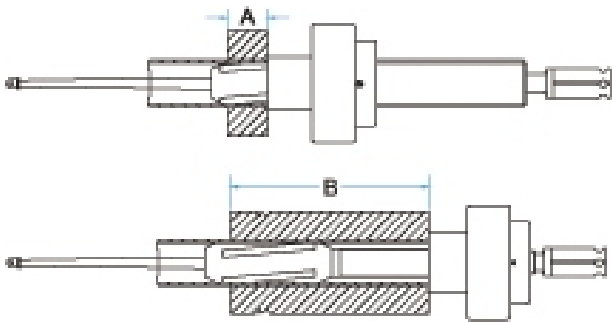
## 'B1200' SERIES FEATURES:

Tube O. D.  
1 1/2" - 1.1/2"

- Use -This is recommended for heat exchanger & condenser with tubes of 5/8"- 1.1/2" O.D. & thick tube sheets.



Sizes Available : 1/2" O.D. to 1.1/2" O.D.  
Tube Internal diameter : 8.4mm (0.334") to 36.3mm (1.43")  
Roller Length of Tube Expander: 1.1/2" (38.1mm) & 2.1/4" (57.1mm)



TUBE EXPANDERS FITTED WITH ROLLER LENGTH		FOR TUBE SHEET ADJUSTABLE RANGE	
		MINIMUM A	MAXIMUM B
(38.1mm) 1.1/2"	STD. REACH	(38.1mm) 1.1/2"	(152.4mm) 6"
	"A" REACH	(38.1mm) 1.1/2"	(203.2mm) 8"
	"B" REACH	(38.1mm) 1.1/2"	(253.8mm) 10"
	"C" REACH	(38.1mm) 1.1/2"	(304.6mm) 12"
	"D" REACH	(38.1mm) 1.1/2"	(355.6mm) 14"
(57.1mm) 2.1/4"	STD. REACH	(57.1mm) 2.1/4"	(171.4mm) 6.3/4"
	"A" REACH	(57.1mm) 2.1/4"	(222.1mm) 8.3/4"
	"B" REACH	(57.1mm) 2.1/4"	(272.8mm) 10.3/4"
	"C" REACH	(57.1mm) 2.1/4"	(323.6mm) 12.3/4"
	"D" REACH	(57.1mm) 2.1/4"	(374.6mm) 14.3/4"

Tube O.D. (Mm) inch	Tube Thickness		Tube I. D.		Minimum I. D. Tool Enters		Maximum Expansion of Tool		EXPANDER with (38.10mm) 1.1/2" Long rollers			EXPANDER with (57.15mm) 2.1/4" Long rollers			Ratchet Size Square Inch	
	Bwg	Inch	Mm	Inch	Mm	Inch	Mm	Inch	Mm	Complete Tool No.	Roller Set No.	Mandrel No.	Complete Tool No.	Roller Set No.		Mandrel No.
(12.70) 1/2	14	.083	2.10	.407	8.4	.324	8.2	.374	9.5	B1197	797	1197	-	-	-	3/8
	15	.072	1.82	.435	9.0	.348	8.8	.398	10.1	B1199	R-1	1199	-	-	-	
	16	.065	1.65	.459	9.4	.360	9.2	.410	10.4	B1201	R-1	M-51	-	-	-	
	17	.058	1.47	.481	9.7	.374	9.5	.424	10.7	B1203	R-2	M-51	-	-	-	3/8
	18	.049	1.24	.491	10.2	.392	9.9	.447	11.3	B1205	R-3	M-52	-	-	-	
	20	.035	0.88	.430	10.9	.406	10.3	.461	11.7	B1205 S	R-3	M-53	-	-	-	
(15.88) 5/8	12	.109	2.76	.407	10.3	.392	9.9	.447	11.3	B1205	R-3	M-2	-	-	-	3/8
	13	.095	2.41	.435	11.0	.425	10.8	.480	12.1	B1207	R-4	M-3	-	-	-	
	14	.083	2.10	.459	11.6	.449	11.4	.509	12.9	B1209	R-4	M-4	B1210	R-4-A	M-4	
	15	.072	1.82	.481	12.2	.471	11.9	.536	13.6	B1211	R-5	M-5	B1212	R-5-A	M-5	3/8
	16	.065	1.65	.495	12.5	.485	12.3	.550	13.9	B1213	R-6	M-5	B1214	R-6-A	M-5	
	17	.058	1.47	.509	12.9	.499	12.6	.564	14.3	B1215	R-6	M-6	B1216	R-6-A	M-6	
	18	.049	1.24	.527	13.3	.517	13.1	.572	14.5	B1217	R-7	M-7	B1218	R-7-A	M-7	3/8
	19	.042	1.06	.541	13.7	.522	13.2	.582	14.7	B1219	R-7	M-6	B1220	R-7-A	M-6	
	20	.035	0.88	.555	14.1	.536	13.6	.596	15.1	B1219S	R-7	M-8	B1220S	R-7-A	M-8	
	21	.032	0.81	.561	14.2	.536	13.6	.596	15.1	B1219S	R-7	M-8	B1220S	R-7-A	M-8	
22	.028	0.71	.569	14.4	.536	13.6	.596	15.1	B1219S	R-7	M-8	B1220S	R-7-A	M-8		
(19.05) 3/4	10	.134	3.40	.482	12.2	.471	11.9	.536	13.6	B1211	R-5	M-5	B1212	R-5-A	M-5	3/8
	11	.120	3.04	.510	12.9	.499	12.6	.564	14.3	B1215	R-6	M-6	B1216	R-6-A	M-6	
	12	.109	2.76	.532	13.5	.522	13.2	.582	14.7	B1219	R-7	M-6	B1220	R-7-A	M-6	
	13	.095	2.41	.560	14.2	.550	13.9	.615	15.6	B1221	R-8	M-8	B1222	R-8-A	M-8	3/8
	14	.083	2.10	.584	14.8	.574	14.5	.639	16.2	B1223	R-9	M-8	B1224	R-9-A	M-8	
	15	.072	1.82	.606	15.3	.596	15.1	.661	16.7	B1225	R-10	M-8	B1226	R-10-A	M-8	
	16	.065	1.65	.620	15.7	.605	15.3	.685	17.4	B1227	R-10	M-9	B1228	R-10-A	M-9	3/8
	17	.058	1.47	.630	16.1	.619	15.7	.699	17.7	B1229	R-11	M-9	B1230	R-11-A	M-9	
	18	.049	1.24	.652	16.5	.619	15.7	.699	17.7	B1229	R-11	M-9	B1230	R-11-A	M-9	
	19	.042	1.06	.666	16.9	.642	16.3	.722	18.3	B1231	R-12	M-9	B1232	R-12-A	M-9	3/8
20	.035	0.88	.680	17.2	.642	16.3	.722	18.3	B1231	R-12	M-9	B1232	R-12-A	M-9		
21	.032	0.81	.686	17.4	.642	16.3	.722	18.3	B1231	R-12	M-9	B1232	R-12-A	M-9		
22	.028	0.71	.694	17.6	.642	16.3	.722	18.3	B1231	R-12	M-9	B1232	R-12-A	M-9		
(22.22) 7/8	10	.134	3.40	.607	15.4	.596	15.1	.661	16.7	B1225	R-10	M-8	B1226	R-10-A	M-8	3/8
	11	.120	3.04	.635	16.1	.619	15.7	.699	17.7	B1229	R-11	M-9	B1230	R-11-A	M-9	
	12	.109	2.76	.657	16.6	.642	16.3	.722	18.3	B1231	R-12	M-9	B1232	R-12-A	M-9	
	13	.095	2.41	.685	17.4	.670	17.0	.750	19.0	B1233	R-13	M-10	B1234	R-13-A	M-10	3/8
	14	.083	2.10	.709	18.0	.685	17.4	.774	19.6	B1235	R-14	M-11	B1236	R-14-A	M-11	
	15	.072	1.82	.731	18.5	.712	18.0	.801	20.3	B1237	R-15	M-11	B1238	R-15-A	M-11	
	16	.065	1.65	.745	18.9	.726	18.4	.815	20.7	B1239	R-15	M-12	B1240	R-15-A	M-12	3/8
	17	.058	1.47	.759	19.2	.740	18.8	.829	21.0	B1243	R-16	M-12	B1244	R-16-A	M-12	
18	.049	1.24	.777	19.7	.740	18.8	.829	21.0	B1243	R-16	M-12	B1244	R-16-A	M-12		

