

BOILER TUBE EXPANDER



TUBE TOOLS

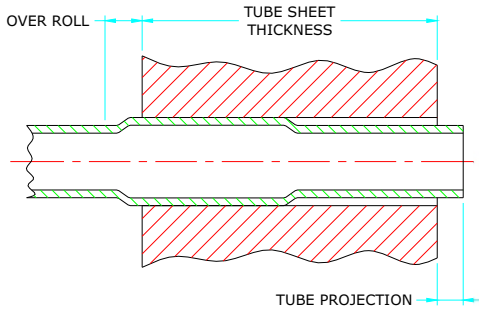
'B-3000' SERIES WITH COLLAR

3 PLAIN ROLLER TUBE EXPANDER WITH THRUST BEARING

Tube O. D.
1.1/4" - 4.1/2"

FEATURES:

- Expander can be accurately positioned in the boiler tube in relation to the drum for consistent expansions.
- Mandrels are interchangeable with B-2000 series.
- Use- For boilers tube sheets and drums thicker than 2.3/4" (70mm). Normally used in conjunction with B-1000, B-2000 series.



TUBE SIZE			TUBE SIZE			MIN. I.D. TUBE TOOL ENTERS		MAX. EXPANSION OF TOOLS		TUBE EXPANDER MODEL NUMBER	
O.D. inch	THK. GA.	THK. inch	O.D. inch	THK. GA.	THK. inch	Mm	Inch	Mm	Inch	1/2" TO 4. 3/8"	1. 1/2" TO 5. 3/8"
Tube Sheet Thickness Codes >>>										7	11
1.1/4	16	(.065)	1.3/8	10	(.134)	26.8	(1.055)	33.0	(1.299)	BP3111/7	
1.1/2	10-12	(.134 -.109)	1.3/8	13-16	(.095 -.065)	29.7	(1.169)	35.0	(1.378)	BBP3118/7	
1.1/2	13-16	(.095 -.065)	1.3/4	5-7	(.220 -.180)	31.7	(1.248)	38.0	(1.496)	BP3126/7	
2	3	(.259)	1.3/4	8&9	(.165 &.148)	33.7	(1.326)	40.0	(1.575)	BP3134/7	BP3134/11
2	4&5	(.238 &.220)	1.3/4	10-12	(.134 -.109)	35.7	(1.405)	42.5	(1.673)	BP3142/7	BP3142/11
2	6	(.203)	1.3/4	13-16	(.095 -.065)	37.7	(1.484)	44.5	(1.752)	BP3150/7	BP3150/11
2	7-9	(.180 -.148)	2.1/4	3	(.259)	39.7	(1.562)	47.0	(1.850)	BP3158/7	BP3158/11
2	10-12	(.134 -.109)	2.1/4	4&5	(.238 &.220)	41.7	(1.641)	49.0	(1.929)	BP3166/7	BP3166/11
2	13-15	(.095 -.072)	2.1/4	6&7	(.203 &.180)	43.7	(1.720)	51.5	(2.027)	BP3174/7	BP3174/11
2	16	(.065)	2.1/4	8&9	(.165 &.148)	45.7	(1.799)	54.0	(2.126)	BP3181/7	BP3181/11
2.1/2	4&5	(.238 &.220)	2.1/4	10-13	(.134 -.095)	47.7	(1.877)	56.0	(2.205)	BP3189/7	BP3189/11
2.1/2	6	(.203)	2.1/4	14-16	(.083 -.065)	49.7	(1.956)	60.0	(2.362)	BP3197/7	BP3197/11
2.1/2	7-10	(.180 -.134)	2.3/4	3	(.259)	51.7	(2.035)	62.0	(2.441)	BP3205/7	BP3205/11
2.1/2	11-13	(.120 -.095)	2.3/4	4&5	(.238 &.220)	53.7	(2.114)	64.0	(2.520)	BP3213/7	BP3213/11
2.1/2	14-16	(.083 -.065)	2.3/4	6	(.203)	55.7	(2.192)	66.0	(2.598)	BP3221/7	BP3221/11
3	2&3	(.284 &.259)	2.3/4	7-9	(.203 -.148)	57.7	(2.271)	68.0	(2.677)	BP3229/7	BP3229/11
3	4	(.238)	2.3/4	10-12	(.134 -.109)	59.7	(2.350)	70.0	(2.756)	BP3237/7	BP3237/11
3	5&6	(.220 &.203)	2.3/4	13-16	(.095 -.065)	61.7	(2.429)	72.0	(2.835)	BP3244/7	BP3244/11
3	7-9	(.180 -.148)	3.1/4	2&3	(.284 &.259)	63.7	(2.507)	74.0	(2.913)	BP3252/7	BP3252/11
3	10-12	(.134 -.109)	3.1/4	4	(.238)	65.7	(2.586)	76.0	(2.992)	BP3260/7	BP3260/11
3	13-14	(.095 -.083)	3.1/4	5	(.220)	67.7	(2.665)	78.0	(3.071)	BP3268/7	BP3268/11
3	15&16	(.072 &.065)	3.1/4	6	(.203)	69.7	(2.744)	80.0	(3.150)	BP3276/7	BP3276/11
3.1/2	3&4	(.284 &.238)	3.1/4	7-11	(.203 -.120)	71.7	(2.822)	82.0	(3.228)	BP3284/7	BP3284/11
3.1/2	5&6	(.220 &.203)	3.1/4	12-14	(.109 -.083)	73.7	(2.901)	84.0	(3.307)	BP3292/7	BP3292/11
3.1/2	7-9	(.180 -.148)	3.1/8	15&16	(.072 &.065)	75.7	(2.980)	86.0	(3.386)	BP3300/7	BP3300/11
3.1/2	10-12	(.134 -.109)	3.3/4	3&4	(.284 &.238)	77.7	(3.059)	88.0	(3.465)	BP3308/7	BP3308/11
3.1/2	13-15	(.095 -.072)	3.3/4	5&6	(.220 &.203)	79.7	(3.137)	92.0	(3.622)	BP3315/7	BP3315/11
3.1/2	16	(.065)	3.3/4	7&8	(.203 &.165)	81.7	(3.216)	94.0	(3.701)	BP3323/7	BP3323/11
4	3&4	(.284 &.238)	3.3/4	9-12	(.148 -.109)	83.7	(3.295)	96.0	(3.780)	BP3331/7	BP3331/11
4	5&6	(.220 &.203)	3.3/4	13-16	(.095 -.065)	85.7	(3.374)	98.0	(3.858)	BP3339/7	BP3339/11
4	7&8	(.180 &.165)	4.1/4	2	(.284)	87.7	(3.452)	100.0	(3.937)	BP3347/7	BP3347/11
4	9-12	(.148 -.109)	4.1/4	3&4	(.284 &.238)	89.7	(3.531)	102.0	(4.016)	BP3355/7	BP3355/11
4	13-15	(.095 -.072)	4.1/4	5&6	(.220 &.203)	91.7	(3.610)	104.0	(4.094)	BP3363/7	BP3363/11
4	16	(.065)	4.1/4	7&8	(.203 &.165)	93.7	(3.688)	106.0	(4.173)	BP3370/7	BP3370/11
4.1/2	3	(.284)	4.1/4	9-11	(.148 -.120)	95.7	(3.767)	108.0	(4.252)	BP3378/7	BP3378/11
4.1/2	4-6	(.238 -.203)	4.1/4	12-16	(.109 -.065)	97.7	(3.846)	110.0	(4.331)	BP3386/7	BP3386/11
4.1/2	7-14	(.180 -.083)	4.1/4			99.7	(3.925)	111.0	(4.407)	BP3394/7	BP3394/11

BOILER TUBE EXPANDER

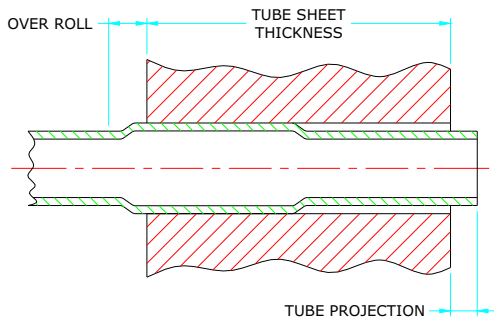


TUBE TOOLS

'B-3000' SERIES WITH COLLAR

3 PLAIN ROLLER TUBE EXPANDER WITH THRUST BEARING

Tube O. D.
1.1/4" - 4.1/2"



SPARE ROLLERS SET MODEL NUMBER		SPARE MANDREL MODEL NUMBER		
TUBE SHEET THICKNESS RANGE		MANDREL SIZE inch	DRUM TYPE	SHORT SERIES MANDRELS
1/2" TO 4. 3/8"	1. 1/2" TO 5. 3/8"			
7	11	<<< Tube Sheet Thickness Codes		
B111-7-RS B118-7-RS B126-7-RS		3/4 3/4 3/4	B118-M B118-M B126-M	BMS-1,2,3 BMS-1,2,3 BMS-2,3,4
B126-7-RS B142-7-RS B150-7-RS	B126-11-RS B142-11-RS B150-11-RS	3/4 3/4 3/4	B134-M B150-M B150-M	BMS-3,4,5 BMS-3,4,5,6 BMS-3,4,5,6
B158-7-RS B166-7-RS B174-7-RS	B158-11-RS B166-11-RS B174-11-RS	3/4 3/4 3/4	B174-M B174-M B174-M	BMS-4,5,6,7,8 BMS-4,5,6,7,8 BMS-4,5,6,7,8
B181-7-RS B174-7-RS B205-7-RS	B181-11-RS B174-11-RS B205-11-RS	1 1 1	B197-M B197-M B197-M	BMS-7,8,9,10,11,12 BMS-7,8,9,10,11,12 BMS-6,7,8,9,10,11,12
B205-7-RS B213-7-RS B221-7-RS	B205-11-RS B213-11-RS B221-11-RS	1 1 1	B221-M B221-M B221-M	BMS-7,8,9,10,11,12 BMS-7,8,9,10,11,12 BMS-7,8,9,10,11,12
B221-7-RS B237-7-RS B252-7-RS	B221-11-RS B237-11-RS B252-11-RS	1 1 1	B244-M B244-M B244-M	BMS-8,9,10,11,12,13 BMS-8,9,10,11,12,13 BMS-8,9,10,11,12,13
B252-7-RS B260-7-RS B268-7-RS	B252-11-RS B260-11-RS B268-11-RS	1 1 1	B268-M B268-M B268-M	BMS-10,11,12,13,14 BMS-10,11,12,13,14 BMS-10,11,12,13,14
B276-7-RS B284-7-RS B292-7-RS	B276-11-RS B284-11-RS B292-11-RS	1 1 1	B300-M 3B00-M B300-M	BMS-12,13,14,15,16 BMS-12,13,14,15,16 BMS-12,13,14,15,16
B315-7-RS B284-7-RS B315-7-RS	B315-11-RS B284-11-RS B315-11-RS	1 1 1	B300-M B347-M B347-M	BMS-12,13,14,15,16 BMS-15,16,17,18,19 BMS-14,15,16,17,18,19
B23-7-RS B331-7-RS B355-7-RS	B323-11-RS B331-11-RS B355-11-RS	1 1 1	B347-M B347-M B347-M	BMS-14,15,16,17,18,19 BMS-14,15,16,17,18,19 BMS-14,15,16,17,18,19
B363-7-RS B355-7-RS B363-7-RS	B363-11-RS B355-11-RS B363-11-RS	1 1 1	B347-M B394-M B394-M	BMS-14,15,16,17,18,19 BMS-17,18,19,20,21 BMS-17,18,19,20,21
B370-7-RS B378-7-RS	B370-11-RS B378-11-RS	1 1	B394-M B394-M	BMS-17,18,19,20,21 BMS-17,18,19,20,21
B386-7-RS B394-7-RS	B386-11-RS B394-11-RS	1 1	B394-M B394-M	BMS-17,18,19,20,21 BMS-17,18,19,20,21

BOILER TUBE EXPANDER

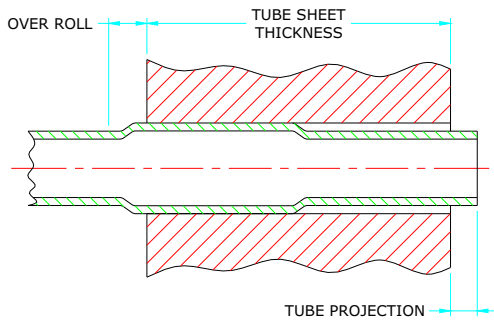


TUBE TOOLS

'B-3000' SERIES WITH COLLAR

3 PLAIN ROLLER TUBE EXPANDER WITH THRUST BEARING

Tube O. D.
1.1/4" - 4.1/2"



SPARE ROLLERS SET MODEL NUMBER		SPARE MANDREL MODEL NUMBER		
TUBE SHEET THICKNESS RANGE		MANDREL SIZE inch	DRUM TYPE	SHORT SERIES MANDRELS
1/2" TO 4. 3/8"	1. 1/2" TO 5. 3/8"			
7	11	<<< Tube Sheet Thickness Codes		
B111-7-RS B118-7-RS B126-7-RS		3/4 3/4 3/4	B118-M B118-M B126-M	BMS-1,2,3 BMS-1,2,3 BMS-2,3,4
B126-7-RS B142-7-RS B150-7-RS	B126-11-RS B142-11-RS B150-11-RS	3/4 3/4 3/4	B134-M B150-M B150-M	BMS-3,4,5 BMS-3,4,5,6 BMS-3,4,5,6
B158-7-RS B166-7-RS B174-7-RS	B158-11-RS B166-11-RS B174-11-RS	3/4 3/4 3/4	B174-M B174-M B174-M	BMS-4,5,6,7,8 BMS-4,5,6,7,8 BMS-4,5,6,7,8
B181-7-RS B174-7-RS B205-7-RS	B181-11-RS B174-11-RS B205-11-RS	1 1 1	B197-M B197-M B197-M	BMS-7,8,9,10,11,12 BMS-7,8,9,10,11,12 BMS-6,7,8,9,10,11,12
B205-7-RS B213-7-RS B221-7-RS	B205-11-RS B213-11-RS B221-11-RS	1 1 1	B221-M B221-M B221-M	BMS-7,8,9,10,11,12 BMS-7,8,9,10,11,12 BMS-7,8,9,10,11,12
B221-7-RS B237-7-RS B252-7-RS	B221-11-RS B237-11-RS B252-11-RS	1 1 1	B244-M B244-M B244-M	BMS-8,9,10,11,12,13 BMS-8,9,10,11,12,13 BMS-8,9,10,11,12,13
B252-7-RS B260-7-RS B268-7-RS	B252-11-RS B260-11-RS B268-11-RS	1 1 1	B268-M B268-M B268-M	BMS-10,11,12,13,14 BMS-10,11,12,13,14 BMS-10,11,12,13,14
B276-7-RS B284-7-RS B292-7-RS	B276-11-RS B284-11-RS B292-11-RS	1 1 1	B300-M 3B00-M B300-M	BMS-12,13,14,15,16 BMS-12,13,14,15,16 BMS-12,13,14,15,16
B315-7-RS B284-7-RS B315-7-RS	B315-11-RS B284-11-RS B315-11-RS	1 1 1	B300-M B347-M B347-M	BMS-12,13,14,15,16 BMS-15,16,17,18,19 BMS-14,15,16,17,18,19
B23-7-RS B331-7-RS B355-7-RS	B323-11-RS B331-11-RS B355-11-RS	1 1 1	B347-M B347-M B347-M	BMS-14,15,16,17,18,19 BMS-14,15,16,17,18,19 BMS-14,15,16,17,18,19
B363-7-RS B355-7-RS B363-7-RS	B363-11-RS B355-11-RS B363-11-RS	1 1 1	B347-M B394-M B394-M	BMS-14,15,16,17,18,19 BMS-17,18,19,20,21 BMS-17,18,19,20,21
B370-7-RS B378-7-RS	B370-11-RS B378-11-RS	1 1	B394-M B394-M	BMS-17,18,19,20,21 BMS-17,18,19,20,21
B386-7-RS B394-7-RS	B386-11-RS B394-11-RS	1 1	B394-M B394-M	BMS-17,18,19,20,21 BMS-17,18,19,20,21