

# BOILER TUBE EXPANDER



**TUBE TOOLS**

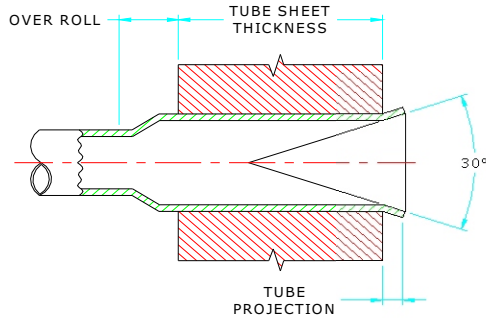
## 'B-1000' SERIES WITH COLLAR

3 PLAIN & 3 FLARE ROLLER TUBE EXPANDER

### FEATURES:

- Use - Ideal for use in limited access space like water boxes, small diameter drums.
- Overlapping rolls prevent ridging of tube.

Tube O. D.  
1" - 4.1/2"



TUBE SIZE			TUBE SIZE			MIN. I.D. TUBE TOOL ENTERS		MAX. EXPANSION OF TOOLS		TUBE EXPANDER MODEL NUMBER				
O.D. inch	THK. GA.	THK. inch	O.D. inch	THK. GA.	THK. inch	Mm	Inch	Mm	Inch	TUBE SHEET THICKNESS RANGE				
										1/2" TO 3/4"	7/8" TO 1. 1/4"	1.3/8" TO 1.3/4"	1. 7/8" TO 2. 1/4"	2. 3/8" TO 2. 3/4"
Tube Sheet Thickness Codes >>>										3	5	7	9	11
1	13&14	(.095 &.083)	1.1/8	9	(.148)	18.7	(.736)	23.4	(.921)	BP1079/3	BP1079/5			
1	15&16	(.072 &.065)	1.1/8	10	(.134)	19.7	(.775)	24.4	(.961)	BP1083/3	BP1083/5			
1.1/4	7	(.180)	1.1/8	11&12	(.120 &.109)	20.7	(.814)	25.5	(1.004)	BP1087/3	BP1087/5			
1.1/4	8&9	(.165 &.148)	1.1/8	13&14	(.095 &.083)	21.7	(.854)	26.5	(1.043)	BP1091/3	BP1091/5			
1.1/4	10	(.134)	1.1/8	15&16	(.072 &.065)	22.7	(.893)	28.1	(1.105)	BP1095/3	BP1095/5			
1.1/4	11-13	(.120 -.095)	1.3/8	8	(.165)	23.7	(.933)	29.0	(1.142)	BP1099/3	BP1099/5			
1.1/4	14&15	(.083 &.072)	1.3/8	9	(.148)	24.7	(.972)	30.0	(1.181)	BP1103/3	BP1103/5			
1.1/4	16	(.065)	1.3/8	10	(.134)	26.8	(1.055)	33.0	(1.299)	BP1111/3	BP1111/5			
1.1/2	10-12	(.134 -.109)	1.3/8	15&16	(.072 &.065)	29.7	(1.169)	35.0	(1.378)	BP1118/3	BP1118/5			
1.1/2	13-16	(.095 -.065)	1.3/4	6&7	(.203 &.180)	31.7	(1.248)	38.0	(1.496)	BP1126/3	BP1126/5			
2	3	(.259)	1.3/4	8&9	(.165 &.148)	33.7	(1.326)	40.0	(1.575)	BP1134/3	BP1134/5	BP1134/7	BP1134/9	BP1134/11
2	4&5	(.238 &.220)	1.3/4	10-12	(.134 -.109)	35.7	(1.405)	42.5	(1.673)	BP1142/3	BP1142/5	BP1142/7	BP1142/9	BP1142/11
2	6	(.203)	1.3/4	13-16	(.095 -.065)	37.7	(1.484)	44.5	(1.752)	BP1150/3	BP1150/5	BP1150/7	BP1150/9	BP1150/11
2	7-9	(.180 -.148)	2.1/4	3	(.259)	39.7	(1.562)	47.0	(1.850)	BP1158/3	BP1158/5	BP1158/7	BP1158/9	BP1158/11
2	10-12	(.134 -.109)	2.1/4	4	(.238)	41.7	(1.641)	49.0	(1.929)	P1166/3	BP1166/5	BP1166/7	BP1166/9	BP1166/11
2	13-15	(.095 -.072)	2.1/4	5&6	(.220 &.203)	43.7	(1.720)	51.5	(2.027)	BP1174/3	BP1174/5	BP1174/7	BP1174/9	BP1174/11
2	16	(.065)	2.1/4	7-9	(.180 -.148)	45.7	(1.799)	54.0	(2.126)	BP1181/3	BP1181/5	BP1181/7	BP1181/9	BP1181/11
2.1/2	4&5	(.238 &.220)	2.1/4	10-13	(.134 -.095)	47.7	(1.877)	56.0	(2.205)	BP1189/3	BP1189/5	BP1189/7	BP1189/9	BP1189/11
2.1/2	6	(.203)	2.1/4	14-16	(.083 -.065)	49.7	(1.956)	60.0	(2.362)	BP1197/3	BP1197/5	BP1197/7	BP1197/9	BP1197/11
2.1/2	7-10	(.180 -.134)	2.3/4	2&3	(.284 &.259)	51.7	(2.035)	62.0	(2.441)	BP1205/3	BP1205/5	BP1205/7	BP1205/9	BP1205/11
2.1/2	11-13	(.120 -.095)	2.3/4	4&5	(.238 &.220)	53.7	(2.114)	64.0	(2.520)	BP1213/3	BP1213/5	BP1213/7	BP1213/9	BP1213/11
2.1/2	14-16	(.083 -.065)	2.3/4	6-8	(.203 -.165)	55.7	(2.192)	66.0	(2.598)	BP1221/3	BP1221/5	BP1221/7	BP1221/9	BP1221/11

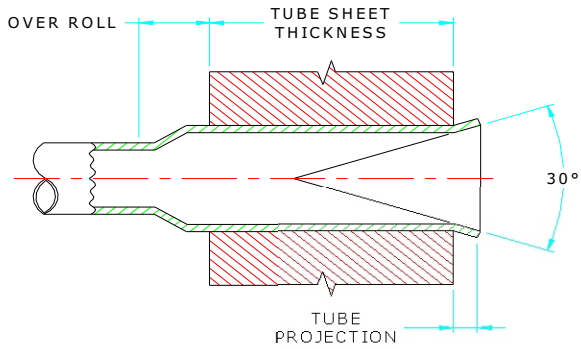
# BOILER TUBE EXPANDER



**TUBE TOOLS**

## 'B-1000' SERIES WITH COLLAR 3 PLAIN & 3 FLARE ROLLER TUBE EXPANDER

Tube O. D.  
1"- 4.1/2"



SPARE ROLLERS SET MODEL NUMBER					SPARE MANDREL MODEL NUMBER		
TUBE SHEET THICKNESS RANGE					MANDREL SIZE inch	DRUM TYPE	SHORT SERIES MANDRELS
1/2" TO 3/4"	7/8" TO 1. 1/4"	1. 3/8" TO 1. 3/4"	1. 7/8" TO 2. 1/4"	2. 3/8" TO 2. 3/4"			
3	5	7	9	11	<<< Tube Sheet Thickness Codes		
B079-3-FS B083-3-FS B087-3-FS	B079-5-FS B083-5-FS B087-5-FS				1/2 1/2 1/2	B83-MP B83-MP B91-MP	
B095-3-FS B095-3-FS B099-3-FS	B095-5-FS B095-5-FS B099-5-FS				1/2 1/2 1/2	B91-MP B99-MP B99-MP	
B103-3-FS B111-3-FS B118-3-FS	B103-5-FS B111-5-FS B118-5-FS				1/2 3/4 3/4	B99-MP B118-MP B118MP	BMPS-1,2,3 BMPS-1,2,3
B126-3-FS B126-3-FS B142-3-FS	B126-5-FS B126-5-FS B142-5-FS	B126-7-FS B142-7-FS	B126-9-FS B142-9-FS	B126-11-FS B142-11-FS	3/4 3/4 3/4	B126-MP B134-MP B150-MP	BMPS-2,3,4 BMPS-3,4,5 BMPS-3,4,5,6
B150-3-FS B158-3-FS B166-3-FS	B150-5-FS B158-5-FS B166-5-FS	B150-7-FS B158-7-FS B166-7-FS	B150-9-FS B158-9-FS B166-9-FS	B150-11-FS B158-11-FS B166-11-FS	3/4 3/4 3/4	B150-MP B174-MP B174-MP	BMPS-3,4,5,6 BMPS-4,5,6,7,8 BMPS-4,5,6,7,8
B174-3-FS B181-3-FS B174-3-FS	B174-5-FS B181-5-FS B174-5-FS	B174-7-FS B181-7-FS B174-7-FS	B174-9-FS B181-9-FS B174-9-FS	B174-11-FS B181-11-FS B174-11-FS	3/4 1 1	B174-MP B97-MP B197-MP	BMPS-4,5,6,7,8 BMPS-7,8,9,10,11 BMPS-7,8,9,10,11
B205-3-FS B205-3-FS	B205-5-FS B205-5-FS	B205-7-FS B205-7-FS	B05-9-FS B205-9-FS	B205-11-FS B205-11-FS	1 1	B197-MP B221-MP	BMPS-6,7,8,9,10,11 BMPS-7,8,9,10,11,12
B213-3-FS B221-3-FS	B213-5-FS B221-5-FS	B213-7-FS B221-7-FS	B213-9-FS B221-9-FS	B213-11-FS B221-11-FS	1 1	B221-MP B221-MP	BMPS-7,8,9,10,11,12 BMPS-7,8,9,10,11,12

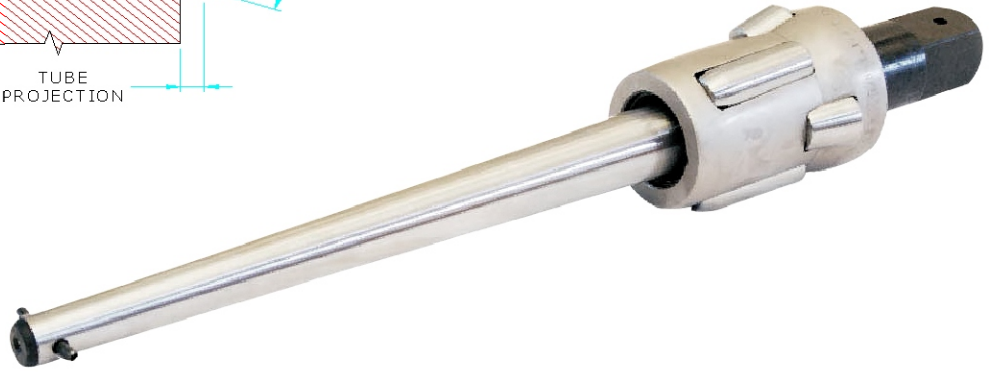
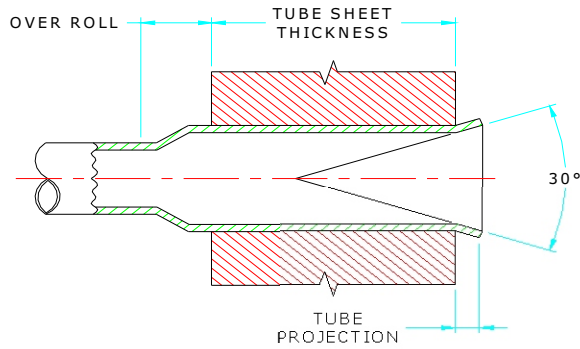
# BOILER TUBE EXPANDER



**TUBE TOOLS**

## 'B-1000' SERIES WITH COLLAR 3 PLAIN & 3 FLARE ROLLER TUBE EXPANDER

Tube O. D.  
1" - 4.1/2"



TUBE SIZE			TUBE SIZE			MIN. I.D. TUBE TOOL ENTERS	MAX. EXPANSION OF TOOLS	TUBE EXPANDER MODEL NUMBER						
O.D. inch	THK. GA.	THK. inch	O.D. inch	THK. GA.	THK. inch			TUBE SHEET THICKNESS RANGE						
						Mm	Inch	Mm	Inch	1/2" TO 3/4"	7/8" TO 1. 1/4"	1.3/8" TO 1.3/4"	1. 7/8" TO 2. 1/4"	2. 3/8" TO 2. 3/4"
Tube Sheet Thickness Codes >>>										3	5	7	9	11
3	2	(.284)	2.3/4	7-9	(.180 -.148)	57.7	(2.271)	68.0	(2.677)	BP1229/3	BP1229/5	BP1229/7	BP1229/9	BP1229/11
3	3&4	(.259 &.238)	2.3/4	10-12	(.134 -.109)	59.7	(2.350)	70.0	(2.756)	BP1237/3	BP1237/5	BP1237/7	BP1237/9	BP1237/11
3	5&6	(.220 &.203)	2.3/4	13-16	(.095 -.065)	61.7	(2.429)	72.0	(2.835)	BP1244/3	BP1244/5	BP1244/7	BP1244/9	BP1244/11
3	7&8	(.180 &.165)	3.1/4	3	(.259)	63.7	(2.507)	74.0	(2.913)	BP1252/3	BP1252/5	BP1252/7	BP1252/9	BP1252/11
3	10-12	(.134 -.109)	3.1/4	4	(.259)	65.7	(2.586)	76.0	(2.992)	BP1260/3	BP1260/5	BP1260/7	BP1260/9	BP1260/11
3	13&14	(.095 &.083)	3.1/4			67.7	(2.665)	78.0	(3.071)	BP1268/3	BP1268/5	BP1268/7	BP1268/9	BP1268/11
3	15&16	(.072 &.065)	3.1/4	5&6	(.220 &.203)	69.7	(2.744)	80.0	(3.150)	BP1276/3	BP1276/5	BP1276/7	BP1276/9	BP1276/11
3.1/2	2&3	(.284 &.259)	3.1/4	7-11	(.180 -.120)	71.7	(2.822)	82.0	(3.228)	BP1284/3	BP1284/5	BP1284/7	BP1284/9	BP1284/11
3.1/2	4-6	(.259 -.203)	3.1/4	12-14	(.109 -.480)	73.7	(2.901)	84.0	(3.307)	BP1292/3	BP1292/5	BP1292/7	BP1292/9	BP1292/11
3.1/2	7-9	(.180 -.148)	3.1/4	15&16	(.072 &.065)	75.7	(2.980)	86.0	(3.386)	BP1300/3	BP1300/5	BP1300/7	BP1300/9	BP1300/11
3.1/2	10-12	(.134 -.109)	3.3/4	2&3	(.284 &.259)	77.7	(3.059)	88.0	(3.465)	BP1308/3	BP1308/5	BP1308/7	BP1308/9	BP1308/11
3.1/2	13-15	(.095 -.072)	3.3/4	4-6	(.259 -.203)	79.7	(3.137)	92.0	(3.622)	BP1315/3	BP1315/5	BP1315/7	BP1315/9	BP1315/11
3.1/2	16	(.065)	3.3/4	7&8	(.180 &.165)	81.7	(3.216)	94.0	(3.701)	BP1323/3	BP1323/5	BP1323/7	BP1323/9	BP1323/11
4	3	(.259)	3.3/4	9-12	(.148 -.109)	83.7	(3.295)	96.0	(3.780)	BP1331/3	BP1331/5	BP1331/7	BP1331/9	BP1331/11
4	4-6	(.259 -.203)	3.3/4	13-16	(.095 -.065)	85.7	(3.374)	98.0	(3.858)	BP1339/3	BP1339/5	BP1339/7	BP1339/9	BP1339/11
4	7&8	(.180 &.165)	4.1/4	2	(.284)	87.7	(3.452)	100.0	(3.937)	BP1347/3	BP1347/5	BP1347/7	BP1347/9	BP1347/11
4	9-12	(.148 -.109)	4.1/4	3	(.259)	89.7	(3.531)	102.0	(4.016)	BP1355/3	BP1355/5	BP1355/7	BP1355/9	BP1355/11
4	13-15	(.095 -.072)	4.1/4	4	(.259)	91.7	(3.610)	104.0	(4.094)	BP1363/3	BP1363/5	BP1363/7	BP1363/9	BP1363/11
4	16	(.065)	4.1/4	7&8	(.180 &.165)	93.7	(3.688)	106.0	(4.173)	BP1370/3	BP1370/5	BP1370/7	BP1370/9	BP1370/11
4.1/2	3	(.259)	4.1/4	9-11	(.148 -.120)	95.7	(3.767)	108.0	(4.252)	BP1378/3	BP1378/5	BP1378/7	BP1378/9	BP1378/11
4.1/2	4-6	(.259 -.203)	4.1/4	12-16	(.109 -.065)	97.7	(3.846)	110.0	(4.331)	BP1386/3	BP1386/5	BP1386/7	BP1386/9	BP1386/11
4.1/2	7-14	(.180 -.083)				99.7	(3.925)	111.0	(4.407)	BP1394/3	BP1394/5	BP1394/7	BP1394/9	BP1394/11

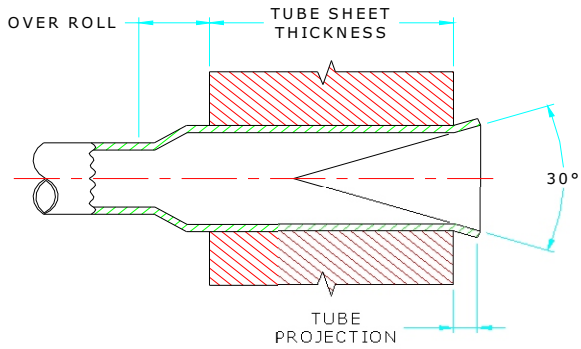
# BOILER TUBE EXPANDER



**TUBE TOOLS**

**'B-1000' SERIES WITH COLLAR**  
**3 PLAIN & 3 FLARE ROLLER TUBE EXPANDER**

Tube O. D.  
 1"- 4.1/2"



SPARE ROLLERS SET MODEL NUMBER					SPARE MANDREL MODEL NUMBER		
TUBE SHEET THICKNESS RANGE					MANDRE SIZE inch	DRUM TYPE	SHORT SERIES MANDRELS
1/2" TO 3/4"	7/8" TO 1. 1/4"	1. 3/8" TO 1. 3/4"	1. 7/8" TO 2. 1/4"	2. 3/8" TO 2. 3/4"			
3	5	7	9	11	<<< Tube Sheet Thickness Codes		
B221-3-FS B237-3-FS B252-3-FS	B221-5-FS B237-5-FS B252-5-FS	B221-7-FS B237-7-FS B252-7-FS	B221-9-FS B237-9-FS B252-9-FS	B221-11-FS B237-11-FS B252-11-FS	1 1 1	B244-MP B244-MP B244-MP	BMPS-8,9,10,11,12,13 BMPS-8,9,10,11,12,13 BMPS-8,9,10,11,12,13
B252-3-FS B260-3-FS B268-3-FS	B252-5-FS B260-5-FS B268-5-FS	B252-7-FS B260-7-FS B268-7-FS	B252-9-FS B260-9-FS B268-9-FS	B252-11-FS B260-11-FS B268-11-FS	1 1 1	B268-MP B268-MP B268-MP	BMPS-10,11,12,13,14 BMPS-10,11,12,13,14 BMPS-10,11,12,13,14
B276-3-FS B284-3-FS B292-3-FS	B276-5-FS B284-5-FS B292-5-FS	B276-7-FS B284-7-FS B292-7-FS	B276-9-FS B284-9-FS B292-9-FS	B276-11-FS B284-11-FS B292-11-FS	1 1 1	B300-MP B300-MP B300-MP	BMPS-12,13,14,15,16 BMPS-12,13,14,15,16 BMPS-12,13,14,15,16
B315-3-FS B284-3-FS B315-3-FS	B315-5-FS B284-5-FS B315-5-FS	B315-7-FS B284-7-FS B315-7-FS	B315-9-FS B284-9-FS B315-9-FS	B315-11-FS B284-11-FS B315-11-FS	1 1 1	B300-MP B347-MP B347-MP	BMPS-12,13,14,15,16 BMPS-15,16,17,18,19 BMPS-14,15,16,17,18,19
B323-3-FS B331-3-FS B355-3-FS	B323-5-FS B331-5-FS B355-5-FS	B323-7-FS B331-7-FS B355-7-FS	B323-9-FS B331-9-FS B355-9-FS	B323-11-FS B331-11-FS B355-11-FS	1 1 1	B347-MP B347-MP B347-MP	BMPS-14,15,16,17,18,19 BMPS-14,15,16,17,18,19 BMPS-14,15,16,17,18,19
B363-3-FS B355-3-FS B363-3-FS	B363-5-FS B355-5-FS B363-5-FS	B363-7-FS B355-7-FS B363-7-FS	B363-9-FS B355-9-FS B363-9-FS	B363-11-FS B355-11-FS B363-11-FS	1 1 1	B347-MP B394-MP B394-MP	BMPS-14,15,16,17,18,19 BMPS-17,18,19,20,21 BMPS-17,18,19,20,21
B370-3-FS B378-3-FS	B370-5-FS B378-5-FS	B370-7-FS B378-7-FS	B370-9-FS B378-9-FS	B370-11-FS B378-11-FS	1 1	B394-MP B394-MP	BMPS-17,18,19,20,21 BMPS-17,18,19,20,21
B386-3-FS B394-3-FS	B386-5-FS B394-5-FS	B386-7-FS B394-7-FS	B386-9-FS B394-9-FS	B386-11-FS B394-11-FS	1 1	B394-MP B394-MP	BMPS-17,18,19,20,21 BMPS-17,18,19,20,21